

## LOCATION

No.703, Block A, Huitong Xin Changjiang Mansion, Xudong St, Wuchang District, Wuhan, Hubei, China.

## CONTACT US

Office (connect to Mr. Wang Kai):

+86 27 86708279

Sin: +86 13125085495

MJ: +86 17786388520

Email: info@petro-product.co

## WORKING HOURS

MON-FRI 08:00 – 21:00

SAT-SUN 10:00 – 19:00

## CONTACT BY



# Petro Product Group



# Iran Marble stone

## 伊朗大理石



**Our product: 我们的产品**

• Since 1988, has been one of the leading companies in production and export of Iranian stones. We own 5 factories and 15 quarries. We produce Marble, Travertine, Limestone, granite, and Onyx, of slabs, cut to size and Tiles & various finishing such as polished, Honed brushed & sand blasted. Export to 25 Countries all over the world.



• **Factory: 工厂**

Using the most sophisticated Italian marble production lines, plus a daily selection of the superior Iranian stone blocks leads our quality to hit a higher standard than any other factory producing Iranian stones, in terms of color and processing quality.



• **Quarry: 采石场**

Trade blocks stone from 15 different quarries. Clients are invited to select blocks from the special stock block yard in Tehran closed to international airport.



**Marble 大理石**



**Granite 花岗岩**



**Travertine 石灰华**



**Lime stone 石灰石**





Onyx 玛瑙



### Why Iran Stone Consortium?



Contact Us:

Available on: WhatsApp, WeChat

0086-18210356387

Mj.84781@gmail.com

0086-17786388520

Wechat ID: mj84781

Capital link beijing international trading Company  
Marketing Manager



# Iran Stone

伊朗石头财团



# Iran's Marble stone

# 伊朗大理石

































# Iran Iron Mine

## 伊朗铁矿



# 铁球团



# 铁精矿



# 铁矿石-分矿



# Iran Copper Mine

伊朗铜矿



可以提供所有类型的产品，例如铜矿石，铜精矿和铜线。



**Iran oil and oil petroleum products**

**伊朗石油和石油产品**





# 伊朗轻质原油



NATIONAL IRANIAN OIL COMPANY (NIOC)  
RESEARCH INSTITUTE OF PETROLEUM INDUSTRY (RIPI)  
CRUDE OIL AND PETROLEUM PRODUCTS EVALUATION DEPARTMENT

## IRANIAN LIGHT CRUDE OIL

TABLE 1: CRUDE OIL GENERAL PROPERTIES ANALYSIS

CHARACTERISTICS	UNITS	RESULT	TEST METHOD
Specific Gravity @ 15.56 /15.56 °C	---	0.8568	ASTM D5002
API Gravity	°API	33.6	ASTM D5002
Sulfur Content (Total)	wt. %	1.46	ASTM D4294
H <sub>2</sub> S Content	ppm	86	IP 570
Mercaptan Content	ppm	60	UOP 163
Nitrogen Content (Total)	wt. %	0.13	ASTM D 5762
Water & Sediment	vol. %	< 0.05	ASTM D4007
Water Content	vol. %	< 0.025	ASTM D4006
Salt Content	PTB	7	ASTM D3230
Kinematic Viscosity @ 10 °C	mm <sup>2</sup> /s	19.50	ASTM D445
Kinematic Viscosity @ 20 °C	mm <sup>2</sup> /s	10.88	
Kinematic Viscosity @ 40 °C	mm <sup>2</sup> /s	6.319	
Pour Point (Upper)	°C	-12	ASTM D5853
Reid Vapor Pressure	psi	8.95	ASTM D323
Asphaltene Content	wt. %	1.6	IP 143
Wax Content	wt. %	4.8	BP 237
Drop Melting Point of Wax	°C	57	IP 133
Conradson Carbon Residue	wt. %	4.50	ASTM D189
Total Acid Number	mg KOH/g	0.12	UOP 565
Nickel Content	mg/kg	11	ASTM D5863
Vanadium Content	mg/kg	40	
Iron Content	mg/kg	<1	
Lead Content	mg/kg	<1	
Sodium Content	mg/kg	8	
Zinc Content	mg/kg	<1	
Copper Content	mg/kg	<1	

Sampling Date: from 08 Day 1395 (28 Dec. 2016) to 12 Day 1395 (1 Jan. 2017)

Report Date: 07 Esfand 1395 (25 Feb. 2017)

# Petrochemicals

## 石油化学产品



methanol

甲醇

polypropylene

聚丙烯



# Polyethylene 聚乙烯



The international codes will be strictly enforced  
Exclude all intruders that send out false information.  
Those who submit a false, LOI, ICPO, RWA or PI and SCD  
WILL BE CHARGED WITH A CRIME



Royal Global Energy

Telephone: +98 21 8822 7734  
+98 218822 7735

Fax: +98 21 8822 7736

Mob: +98 912 450 21 90 Eng. Behrooz Mirzai  
Email: [info@royalglobalenergy.com](mailto:info@royalglobalenergy.com)

No: 2201 10th floor, Noor Tehran Building, Valiasr Ave, Tehran, Iran

RGE main core business Oil, Gas, Refining and Petrochemicals

**Product Description:** HCH 5110 has been manufactured using Basell Lupotech G<sup>®</sup> licensed technology and the appropriate manufacturing parameters and hence is equivalent to Basell Lupolen<sup>®</sup> HDPE 5121B grade.

**Applications:** HCH 5110 is suitable for Bags, Products for Use in Property  
**Trade Name:** HDPE HCH 5110

PROPERTY	VALUE	UNIT	TEST METHOD
<u>Physical Properties</u>			
Density (at 27°C)	950	kg/cm <sup>3</sup>	ISO 1183
MFR (190°C/21.6kg)	10	dg/min	ISO 1133
<u>Mechanical Properties</u>			
Tensile Modulus	1050	Mpa	ISO 527-1
Tensile Strength (MD)	55	MPa	ISO 527-1,3
Tensile Strength (TD)	55	MPa	ISO 527-1,3
Tensile Strain at Break (MD)	580	%	ISO 527-1
Tensile Strain at Break (TD)	620	%	ISO 527-1
Tensile Stress at Yield	26	MPa	ISO 527-1
Tensile Strain at Yield	10	%	ISO 527-1
<u>Thermal Properties</u>			
Vicat Temp,(A50,50°C/h,10N)	132	°C	ISO 306
Vicat Temp,(A50,50°C/h,50N)	127	°C	ISO 306

# 1.oxidized bitumen

- oxidized bitumen grades are suitable for:
- sealing saw cuts and joints where is expected to be the minimum of moving in the joint.
- the wide temperature range prevents bleeding in high-temperature applications.
- oxidized bitumen can also be used in industrial applications like roofing, flooring, mastics, pipe coatings, electrical applications.

- 拥有丰富管理经验的加汗吉尔帕尔斯公司开始着手长期行动，以帮助我国在2012年的发展。
- 该公司的活动是生产和销售沥青和黑沥青。
- JGP很荣幸成为全球出口和销售高速运输系统的先驱。
- 黑色沥青作为独特的矿物被用于超过160种产品，主要用于深色印刷油墨和油漆，油井钻井泥浆和水泥，沥青改性剂，铸造砂添加剂和各种化学产品。符合ASTM标准。
- 我们使用现代沥青罐车，bitutainer, flexitank, bitubag和存储终端。



# oxidized bitumen

# 氧化沥青

- 工业沥青是黑暗的，通过氧化过程改性的石油残余物。
- 氧化沥青牌号适用于：
  - 预计密封锯切口和接头在接头处移动的最小量。
  - 宽温度范围防止在高温应用中出血。
- 氧化沥青还可用于屋顶，地板，胶粘剂，管道涂料，电气应用等工业应用。





**25 KG Craft Bag**



**25 KG PP bag**



**25 KG bag on pallet**



## **2. cutback bitumen**

- cutbacks bitumen used for tack coats, fog seals, slurry seals, stabilization material.
- cutback asphalt is simply a combination of asphalt cement and petroleum solvent and reduces asphalt viscosity for lower temperature uses.

# cutback bitumen

# 减少沥青

- 减少沥青用于大衣，雾密封，泥浆密封，稳定材料。
- 减少沥青仅仅是沥青水泥和石油溶剂的组合，并且降低沥青粘度以用于较低温度的用途。



property	Test method	grade									
		MC-30		MC-70		MC-250		MC-800		MC-3000	
		Max	Min	Max	Min	Max	Min	Max	Min	Max	Min
Kinematic Viscosity at 60°C mm <sup>2</sup> /s	ASTM D2170	60	30	140	70	500	250	1600	800	6000	3000
Flash Point (Tag Open-Cup), °C	ASTM D3143	□	38	□	38	□	66	□	66	-	66
<b>Distillate Test : Distillate, Volume Percent of Total Distillate to 360°C</b>											
To 225°C	ASTM D402	25	□	20	□	10	□	-	-	-	-
To 260°C	ASTM D402	70	40	60	20	55	15	35	-	15	-
To 316°C	ASTM D402	93	75	90	65	87	60	80	45	75	15
Residue from distillation to 360°C, percent volume by difference	ASTM D402	□	50	□	55	□	67	□	75	-	80
<b>Tests on Residue from Distillation</b>											
Viscosity at 60 °C,	ASTM D2170	120	30	120	30	120	30	120	30	120	30
Penetration at 25 °C,	ASTM D5	250	120	250	120	250	120	250	120	250	120
Ductility at 25 °C,	ASTM D113	□	100	□	100	□	100	□	100	□	100
Solubility in trichloroethylene, %	ASTM D2042	□	99	□	99	□	99	□	99	□	99
Water, %	ASTM D95	0.2	□	0.2	□	0.2	□	0.2	□	0.2	□



**Steel Drum on Pallet**



**1000 KG Jumbo Bag**



**170 KG Steel Drum**

# 3. Penetration bitumen

- mainly used in the manufacture of hot mix asphalt for bases and wearing courses
- penetration bitumen is a standard bitumen usually used as a road construction essential for heavy traffic road and for the production of asphalt pavements with the various application, and it's very important once it bounds the aggregates and creates a unique cohesion and stability to the bituminous mix.

# Penetration bitumen

# 渗透沥青

- 主要用于制造用于基地和耐磨路线的热拌沥青。
- 渗透沥青是一种标准沥青，通常用作交通繁忙道路和各种应用的沥青路面生产所必需的道路建设，一旦它限制了骨料并为沥青混合料创造了独特的凝聚力和稳定性，它就非常重要。





**Steel Drum filling**



**Hot Bitumen Steam**



**25 KG poly amide bag**



# **4.emulsion bitumen**

- for tack coat, prime coat, seal coat, surface dressing, crack sealing, cold mix bituminous surfacing

# emulsion bitumen

# 仿真沥青

- 用于粘性涂层，底漆，密封涂层，表面修整，裂缝密封，冷混沥青铺面
- 沥青乳液，归类于各种道路建设行业。

Grades									
		CRS1		CRS2		CSS1		CMS2	
Test on Emulsions									
property	Testmethod	Max	Min	Max	Min	Max	Min	Max	Min
Viscosity, Saybolt Furol at 25 °C, SFS	ASTM D244	□		-	-	100	20	-	-
Viscosity, Saybolt Furol at 25 °C, SFS	ASTM D3143			100	400	-	-	40	450
Storage stability test, 24-h, %	ASTM D6930	20	100	-	1	1	-	-	1
Demulsibility, 35 mL, 0.8 % dioctyl sodium sulfosuccinate, %	ASTM D6936		1	40	-	-	-	-	-
Coating ability and water resistance									
Coating, dry aggregate	ASTM D244	□	□	-	-	-	-	good	-
Coating, after spraying	ASTM D244	□	□	-	-	-	-	Fair	-
Coating, wet aggregate	ASTM D244			-	-	-	-	Fair	-
Coating, after spraying	ASTM D244			-	-	-	-	Fair	-
Particle charge test	ASTM D244	positive		positive		positive		positive	
Sieve test, %	ASTMD6933	□	0.1	□	0.1	□	0.1	-	0.1
Cement mixing test, %	ASTMD6935	□	□	-	-	-	2.0	-	-
Tests on residue from distillation test									
Penetration, 25°C (77°F), 100 g, 5 s	ASTM D5	100	250	100	250	100	250	100	250
Ductility, 25°C (77°F), 5 cm/min, cm	ASTM D113	40	-	40	-	40	-	40	-
Solubility in trichloroethylene, %	ASTM D2042	97.5	-	97.5	-	97.5	-	97.5	-



**Open top Drum**



**Shrinked Drums**



**Bitumen Tanker**

# 5. Gilsonite

- is found in commercial quantities only in the Utah of the USA and the west of Iran.
- gilsonite is known with JGPCO brand in the world. it is used as performance-enhancing agent for asphalt mixes.
- gilsonite is black and natural rock asphalt that can be pulverized and melted to use in the ink, drilling fluid, asphalt and foundry industry. gilsonite chemical makeup is a complex of elements that include sulfur, carbon, oxygen, hydrogen, and nitrogen, as well as small quantities of other elements.

# Gilsonite 天然沥青

- 仅在美国犹他州和伊朗西部以商业数量发现。
- **gilsonite** 在世界上被称为JGPCO品牌。 它被用作沥青混合料的性能增强剂。
- 黑沥青是黑色和天然岩石沥青，可以粉碎和熔化用于油墨，钻井液，沥青和铸造业。 硬沥青化学组成是包括硫，碳，氧，氢和氮以及少量其他元素的元素的复合物。

property	Test method	Grades				
		Road Paving	Oil Drilling	Pipe Coating	Painting & Ink	Foundry
Softening Point	(ASTM E28-92)	166-180°C	>=232°C >=450°F	154-169°C 310-335°F	154-169°C 310-335°F	190-220°C
Ash	(ASTM D271-70 M)	2.0% Maximum	<=3.0%	0.25-0.40% Typical 0.90% Max. Guaranteed	0.25-0.40% Typical 0.90% Max. Guaranteed	20 % Maximum
Moisture	(AGC Method)	1.0% Maximum	<=1.0%	0.2-0.5% Typical 0.7% Max. Guaranteed	0.2-0.5% Typical 0.7% Max. Guaranteed	1-3 %
Penetration	(25°C, 100 gm, 5sec.)	0	0	0	0	0
Color in Mass	-	black	Black	Black	Black	
Flash Point	(COC)	316°C; 600°F	316°C; 600°F	316°C; 600°F	316°C; 600°F	
Sulfur	-	0.3%	0.3%	0.3%	0.3%	4%
Specific Gravity	-	1.05	1.06	1.04	1.04	
Viscosity	(25°C, 30% solids, Magie 470)			1,500-6,000 cPs	1,500-6,000 cPs	





**1000 KG Jumbo Bag**



**Gilsonite Lump**



**25 KG Bag on pallet**



## **6. rubber processing oil (RPO)**

- the rubber processing oil chemical market is mainly driven by the growth in the demand for automobiles. we use rubber process oil to enhance the properties of rubber used in the manufacture of tires. with the growing population and increased spending by the consumers, the demand for automobiles has increased. which in turn has led to the increased demand for rubber processing chemicals. these chemicals add superior qualities to the rubber.

# Rubber processing oil (RPO) 橡胶加工油

- 橡胶加工化工市场主要受汽车需求增长推动。我们使用橡胶加工油来提高轮胎制造中使用的橡胶的性能。随着人口的增长和消费者消费的增加，对汽车的需求也在增加。这又导致对橡胶加工化学品的需求增加。这些化学品为橡胶添加了优异的品质。



## Rubber Process Oil Grades TDS

Specification	Exact Grade						
	125	135	145	155	Light	Heavy	Test Methode
Kinematic Viscosity @ 100 °C	20-30	30-40	40-50	50-60	1.05	35	D 445
Flash Point	220	230	240	240	200-230	200-230	D 92
Aniline Point	40-55	35-45	30-40	33	-	-	D 611
Pour Point	+36	+33	+27	+24	-	-	D 97
Density @15.6 °C (g/cm <sup>3</sup> )	1.01	1.01	1.02	1.03	1.05	1.05	D 4052
Viscosity	0.95	0.96	0.97	0.99	0.99	0.99	D 2501



# • 汽车配件



# 纸





پنجہ مرغ

chicken paw

鸡爪





















# DALI LIGHT

**Intelligent spot projection light system**



# DALI LIGHT



# DALI LIGHT



**DG- F080-2A**  
(white-black)



Model	DG-F080-2A
product name	80W Dimming intelligent tunnel light
Dimensions (length * width )	315x350
product weight	7Kg
light color	white ( 6000K )
Projection diameter	11 meter (in 100 meter distance)
Light emitting chip	American ( CREE )
Adjustable angle	90-108°
power	80W
Optical distance (standard reference)	8-12 meter

**Shell materials**

Aluminum

**Voltage Frequency**

50hZ-60Hz

**Input Voltage**

AC90V-260V

**Life Length**

30000h-100000h

**Water Proof**

IP65

**control method**

Wireless (RF), infrared, APP, 4G, NB-IOT

**Color Temperature**

2700-6000k

**Color Index**

Ra >70



# DALI LIGHT



**DG- F150-2B**  
(white-black)



Model	DG-F150-2B
product name	150W Dimming intelligent tunnel light
Dimensions (length * width )	315x350
product weight	7.4Kg
light color	white ( 6000K )
Projection diameter	21 meter (in 150 meter distance)
Light emitting chip	American ( CREE )
Adjustable angle	90-108°
power	150W
Optical distance (standard reference)	8-15 meter

Shell materials

Aluminum

Voltage Frequency

50hZ-60Hz

Input Voltage

AC90V-260V

Life Length

30000h-100000h

Water Proof

IP65

control method

Wireless (RF), infrared, APP, 4G, NB-IOT

Color Temperature

2700-6000k

Color Index

Ra >70



# DALI LIGHT

DG- F250-2C  
(white-black)



Model	DG-F250-2C
product name	250W Dimming intelligent tunnel light
Dimensions (length * width )	485x360
product weight	11.3Kg
light color	white ( 6000K )
Projection diameter	31 meter (in 200 meter distance)
Light emitting chip	American ( CREE )
Adjustable angle	90-108°
power	250W
Optical distance (standard reference)	8-12 meter

Shell materials

Aluminum

Voltage Frequency

50hZ-60Hz

Input Voltage

AC90V-260V

Life Length

30000h-100000h

Water Proof

IP65

control method

Wireless (RF), infrared, APP, 4G, NB-IOT

Color Temperature

2700-6000k

Color Index

Ra >70



# DALI LIGHT



Model	DG-F500-2D
product name	500W Dimming intelligent tunnel light
Dimensions (length * width )	480x390
product weight	18.2Kg
light color	white ( 6000K )
Projection diameter	77 meter (in 500 meter distance)
Light emitting chip	American ( CREE )
Adjustable angle	90-108°
power	500W
Optical distance (standard reference)	8-12 meter

Shell materials	Aluminum	Voltage Frequency	50hZ-60Hz
Input Voltage	AC90V-260V	Life Length	30000h-100000h
Water Proof	IP65	control method	Wireless (RF), infrared, APP, 4G, NB-IOT
Color Temperature	2700-6000k	Color Index	Ra >70



# DALI LIGHT

**Intelligent landscape light system**





# DALI LIGHT



# DALI LIGHT



<b>Model</b>	<b>DG-S080-1A</b>
product name	80W Dimming intelligent landscape light
Dimensions (length * width * thickness)	210x255x100
product weight	4Kg
light color	white (6000K)
Light emitting chip	American (CREE)
Light angle	90°
power	80W
Optical distance (standard reference)	8-12 meter

DG-S080-1A

DG-2080-1A

<b>Shell materials</b>	<b>Aluminum alloy</b>	<b>Voltage Frequency</b>	<b>50Hz-60Hz</b>
<b>Input Voltage</b>	AC90V-260V	<b>Life Length</b>	30000h-100000h
<b>Water Proof</b>	IP65	<b>control method</b>	Wireless (RF), infrared, APP, 4G, NB-IOT
<b>Module luminous flux</b>	0-9600lm (Adjustable)	<b>Whole light flux</b>	0-19200lm (Adjustable)
<b>Color Temperature</b>	2700-6000k	<b>Color Index</b>	Ra >70



# DALI LIGHT



Model	DG-E120-1A
product name	120W Dimming intelligent landscape light
Dimensions (length * width * thickness)	300x255x100
product weight	5.5Kg
light color	white (6000K)
Light emitting chip	American (CREE)
Adjustable angle	0-30°
power	120W
Optical distance (standard reference)	8-15 meter

**Shell materials** Aluminum alloy

**Input Voltage** AC90V-260V

**Water Proof** IP65

**Module luminous flux** 0-14400lm (Adjustable)

**Color Temperature** 2700-6000k

**Voltage Frequency** 50Hz-60Hz

**Life Length** 30000h-100000h

**control method** Wireless (RF), infrared, APP, 4G, NB-IOT

**Whole light flux** 0-43200lm (Adjustable)

**Color Index** Ra >70



# DALI LIGHT



**DG- E010-2A**

<b>Model</b>	<b>DG-E010-2A</b>
product name	10W Dimming intelligent landscape light
Dimensions (length * width*thickness )	180x135x60
product weight	1.7Kg
light color	white ( 6000K )
Light emitting chip	American ( CREE )
angle	90°
power	10W
Optical distance (standard reference)	8 meter

**Shell materials** Aluminum

**Input Voltage** AC90V-260V

**Water Proof** IP65

**Color Temperature** 2700-6000k

**Voltage Frequency** 50hZ-60Hz

**Life Length** 30000h-100000h

**control method** Wireless (RF), infrared, APP, 4G, NB-IOT

**Color Index** Ra >70



# DALI LIGHT



<b>Model</b>	<b>DG-E020-2A</b>
product name	20W Dimming intelligent landscape light
Dimensions (length * width*thickness )	200x165x80
product weight	2Kg
light color	white ( 6000K )
Light emitting chip	American ( CREE )
angle	90°
power	20W
Optical distance (standard reference)	8 meter

Shell materials

Aluminum

Voltage Frequency

50hZ-60Hz

Input Voltage

AC90V-260V

Life Length

30000h-100000h

Water Proof

IP65

control method

Wireless (RF), infrared, APP, 4G, NB-IOT

Color Temperature

2700-6000k

Color Index

Ra >70



# DALI LIGHT



DG- E030-2A

<b>Model</b>	<b>DG-E030-2A</b>
product name	30W Dimming intelligent landscape light
Dimensions (length * width*thickness )	215x180x80
product weight	2.4Kg
light color	white ( 6000K )
Light emitting chip	American ( CREE )
angle	90°
power	30W
Optical distance (standard reference)	8 meter

Shell materials

Aluminum

Voltage Frequency

50hZ-60Hz

Input Voltage

AC90V-260V

Life Length

30000h-100000h

Water Proof

IP65

control method

Wireless (RF), infrared, APP, 4G, NB-IOT

Color Temperature

2700-6000k

Color Index

Ra >70



# DALI LIGHT



**DG- E050-2A**

<b>Model</b>	<b>DG-E050-2A</b>
product name	50W Dimming intelligent landscape light
Dimensions (length * width*thickness )	255x195x95
product weight	3Kg
light color	white ( 6000K )
Light emitting chip	American ( CREE )
angle	90°
power	50W
Optical distance (standard reference)	8 meter

**Shell materials** Aluminum

**Input Voltage** AC90V-260V

**Water Proof** IP65

**Color Temperature** 2700-6000k

**Voltage Frequency** 50hZ-60Hz

**Life Length** 30000h-100000h

**control method** Wireless (RF), infrared, APP, 4G, NB-IOT

**Color Index** Ra >70



# DALI LIGHT



<b>Model</b>	<b>DG-E070-2A</b>
product name	70W Dimming intelligent landscape light
Dimensions (length * width*thickness )	290x250x115
product weight	3Kg
light color	white ( 6000K )
Light emitting chip	American ( CREE )
angle	90°
power	70W
Optical distance (standard reference)	8 meter

**Shell materials**

**Aluminum**

**Voltage Frequency**

**50hZ-60Hz**

**Input Voltage**

**AC90V-260V**

**Life Length**

**30000h-100000h**

**Water Proof**

**IP65**

**control method**

**Wireless (RF), infrared, APP, 4G, NB-IOT**

**Color Temperature**

**2700-6000k**

**Color Index**

**Ra >70**





# DALI LIGHT



**DG- E100-2A**

<b>Model</b>	<b>DG-E100-2A</b>
product name	100W Dimming intelligent landscape light
Dimensions (length * width*thickness )	310x250x190
product weight	5.9Kg
light color	white ( 6000K )
Light emitting chip	American ( CREE )
angle	90°
power	100W
Optical distance (standard reference)	8 -12 meter

**Shell materials**

**Aluminum**

**Voltage Frequency**

**50hZ-60Hz**

**Input Voltage**

**AC90V-260V**

**Life Length**

**30000h-100000h**

**Water Proof**

**IP65**

**control method**

**Wireless (RF), infrared, APP, 4G, NB-IOT**

**Color Temperature**

**2700-6000k**

**Color Index**

**Ra >70**



# DALI LIGHT



## DG- E120-2A

<b>Model</b>	<b>DG-E120-2A</b>
product name	120W Dimming intelligent landscape light
Dimensions (length * width*thickness )	315x310x190
product weight	7.1Kg
light color	white ( 6000K )
Light emitting chip	American ( CREE )
angle	90°
power	120W
Optical distance (standard reference)	8 -12 meter

**Shell materials**

Aluminum

**Voltage Frequency**

50hZ-60Hz

**Input Voltage**

AC90V-260V

**Life Length**

30000h-100000h

**Water Proof**

IP65

**control method**

Wireless (RF), infrared, APP, 4G, NB-IOT

**Color Temperature**

2700-6000k

**Color Index**

Ra >70



# DALI LIGHT



## DG-E150-2A

<b>Model</b>	<b>DG-E150-2A</b>
product name	150W Dimming intelligent landscape light
Dimensions (length * width*thickness )	375x310x190
product weight	8.2Kg
light color	white ( 6000K )
Light emitting chip	American ( CREE )
angle	90°
power	150W
Optical distance (standard reference)	12 -15 meter

**Shell materials**

**Aluminum**

**Voltage Frequency**

**50hZ-60Hz**

**Input Voltage**

**AC90V-260V**

**Life Length**

**30000h-100000h**

**Water Proof**

**IP65**

**control method**

**Wireless (RF), infrared, APP, 4G, NB-IOT**

**Color Temperature**

**2700-6000k**

**Color Index**

**Ra >70**



# DALI LIGHT



## DG- E160-2A

<b>Model</b>	<b>DG-E160-2A</b>
product name	160W Dimming intelligent landscape light
Dimensions (length * width*thickness )	400x340x190
product weight	9.5Kg
light color	white ( 6000K )
Light emitting chip	American ( CREE )
angle	90°
power	160W
Optical distance (standard reference)	12-15 meter

**Shell materials**

**Aluminum**

**Voltage Frequency**

**50hZ-60Hz**

**Input Voltage**

**AC90V-260V**

**Life Length**

**30000h-100000h**

**Water Proof**

**IP65**

**control method**

**Wireless (RF), infrared, APP, 4G, NB-IOT**

**Color Temperature**

**2700-6000k**

**Color Index**

**Ra >70**



# DALI LIGHT



DG-E200-2A

<b>Model</b>	<b>DG-E200-2A</b>
product name	200W Dimming intelligent landscape light
Dimensions (length * width*thickness )	400x340x190
product weight	10.2Kg
light color	white ( 6000K )
Light emitting chip	American ( CREE )
angle	90°
power	200W
Optical distance (standard reference)	12-15 meter

DC-E500-5V

<b>Shell materials</b>	<b>Aluminum</b>	<b>Voltage Frequency</b>	<b>50hZ-60Hz</b>
<b>Input Voltage</b>	AC90V-260V	<b>Life Length</b>	30000h-100000h
<b>Water Proof</b>	IP65	<b>control method</b>	Wireless (RF), infrared, APP, 4G, NB-IOT
<b>Color Temperature</b>	2700-6000k	<b>Color Index</b>	Ra >70



# DALI LIGHT



Model	DG-E010-2B
product name	10W Dimming intelligent landscape light
Dimensions (length * width*thickness )	130x130x55
product weight	1.7Kg
light color	white ( 6000K )
Light emitting chip	American ( CREE )
angle	90°
power	10W
Optical distance (standard reference)	8 meter

**with Induction sensor**

Shell materials	Aluminum	Voltage Frequency	50hZ-60Hz
Input Voltage	AC90V-260V	Life Length	30000h-100000h
Water Proof	IP65	control method	Wireless (RF), infrared, APP, 4G, NB-IOT
Color Temperature	2700-6000k	Color Index	Ra >70



# DALI LIGHT



**DG- E020-2B**(Induction sensor)

Model	DG-E020-2B
product name	20W Dimming intelligent landscape light
Dimensions (length * width*thickness )	175x175x65
product weight	2.2Kg
light color	white ( 6000K )
Light emitting chip	American ( CREE )
angle	90°
power	20W
Optical distance (standard reference)	8 meter

**with Induction sensor**

Shell materials

Aluminum

Voltage Frequency

50hZ-60Hz

Input Voltage

AC90V-260V

Life Length

30000h-100000h

Water Proof

IP65

control method

Wireless (RF), infrared, APP, 4G, NB-IOT

Color Temperature

2700-6000k

Color Index

Ra >70



# DALI LIGHT



**DG- E030-2B** (Induction sensor)

Model	DG-E030-2B
product name	30W Dimming intelligent landscape light
Dimensions (length * width*thickness )	190x190x65
product weight	2.2Kg
light color	white ( 6000K )
Light emitting chip	American ( CREE )
angle	90°
power	30W
Optical distance (standard reference)	8 meter

**with Induction sensor**

Shell materials

Aluminum

Voltage Frequency

50hZ-60Hz

Input Voltage

AC90V-260V

Life Length

30000h-100000h

Water Proof

IP65

control method

Wireless (RF), infrared, APP, 4G, NB-IOT

Color Temperature

2700-6000k

Color Index

Ra >70





# DALI LIGHT



<b>Model</b>	<b>DG-E050-2B</b>
product name	50W Dimming intelligent landscape light
Dimensions (length * width*thickness )	235x220x115
product weight	3.6Kg
light color	white ( 6000K )
Light emitting chip	American ( CREE )
angle	90°
power	50W
Optical distance (standard reference)	8 meter

**with Induction sensor**

<b>Shell materials</b>	Aluminum	<b>Voltage Frequency</b>	50hZ-60Hz
<b>Input Voltage</b>	AC90V-260V	<b>Life Length</b>	30000h-100000h
<b>Water Proof</b>	IP65	<b>control method</b>	Wireless (RF), infrared, APP, 4G, NB-IOT
<b>Color Temperature</b>	2700-6000k	<b>Color Index</b>	Ra >70



# DALI LIGHT

## Intelligent tunnel light system



detecting sensor, tunnel lighting, DALI bus power supply, DALI control and tunnel light driving module, PC APP, mobile APP, etc. . It can automatically detect the traffic flow in the tunnel, and determine the operation of the light in the tunnel according to the presence or absence of the vehicle (the brightness in the tunnel is around 20% when no vehicle enters), and it is installed outside the tunnel.

# DALI LIGHT

- The brightness data detected by the light sensor adjusts the brightness of the lights in each area of the tunnel to achieve the illumination of the light in the tunnel, prevent the driver from glare and save energy. The tunnel light has functions such as current, voltage, and temperature detection, and the detected data is periodically transmitted to the system.
- The system can calculate the power consumption of the luminaire according to the received data and determine whether the luminaire is faulty and whether it needs to be repaired according to the data parameters. If the repair is needed, the relevant maintenance personnel will be notified by SMS. It is also possible to control the light in the tunnel remotely (mobile phone or computer) as needed. The APP user interface is very friendly and intuitive.



# DALI LIGHT



DG-S080-1A

Model	DG-S080-1A
product name	80W Dimming intelligent tunnel light
Dimensions (length * width * thickness)	210x255x100
product weight	4Kg
light color	white (6000K)
Light emitting chip	American (CREE)
Adjustable angle	0-30°
power	80W
Module / power supply removal time	3 seconds each

Shell materials	Aluminum alloy	Voltage Frequency	50Hz-60Hz
Input Voltage	AC90V-260V/ DC30V-36V	Life Length	30000h-100000h
Water Proof	IP65	control method	Wireless (RF), infrared, APP, 4G, NB-IOT
Module luminous flux	0-9600lm (Adjustable)	Whole light flux	0-19200lm (Adjustable)
Color Temperature	2700-6000k	Color Index	Ra >70



# DALI LIGHT



Model	DG-S120-1A
product name	120W Dimming intelligent tunnel light
Dimensions (length * width * thickness)	300x255x100
product weight	5.5Kg
light color	white (6000K)
Light emitting chip	American (CREE)
Adjustable angle	0-30°
power	120W
Module / power supply removal time	3 seconds each

**Shell materials**

**Aluminum alloy**

**Voltage Frequency**

**50hZ-60Hz**

**Input Voltage**

AC90V-260V/ DC30V-36V

**Life Length**

30000h-100000h

**Water Proof**

IP65

**control method**

Wireless (RF), infrared, APP, 4G, NB-IOT

**Module luminous flux**

0-14400lm (Adjustable)

**Whole light flux**

0-43200lm (Adjustable)

**Color Temperature**

2700-6000k

**Color Index**

Ra >70



# DALI LIGHT



## DG- S060-2A

<b>Model</b>	<b>DG-S060-2A</b>
product name	60W Dimming intelligent tunnel light
Dimensions (length * width * thickness)	300x230x140
product weight	4Kg
light color	white ( 6000K )
Light emitting chip	American ( CREE )
Adjustable angle	0-30°
power	60W
Module / power supply removal time	30 minutes

**Shell materials**

**Aluminum**

**Voltage Frequency**

**50hZ-60Hz**

**Input Voltage**

AC90V-260V/ DC30V-36V

**Life Length**

30000h-100000h

**Water Proof**

IP65

**control method**

Wireless (RF), infrared, APP, 4G, NB-IOT

**Module luminous flux**

0-7200lm (Adjustable)

**Whole light flux**

0-14400lm (Adjustable)

**Color Temperature**

2700-6000k

**Color Index**

Ra >70



# DALI LIGHT



## DG- L090-2A

<b>Model</b>	<b>DG-S090-2A</b>
product name	90W Dimming intelligent tunnel light
Dimensions (length * width * thickness)	300x340x140
product weight	5.5Kg
light color	white ( 6000K )
Light emitting chip	American ( CREE )
Adjustable angle	0-30°
power	90W
Module / power supply removal time	30 minutes

**Shell materials**

**Aluminum**

**Voltage Frequency**

**50hZ-60Hz**

**Input Voltage**

AC90V-260V/ DC30V-36V

**Life Length**

30000h-100000h

**Water Proof**

IP65

**control method**

Wireless (RF), infrared, APP, 4G, NB-IOT

**Module luminous flux**

0-10800lm (Adjustable)

**Whole light flux**

0-32400lm (Adjustable)

**Color Temperature**

2700-6000k

**Color Index**

Ra >70



# DALI LIGHT



**DG-S120-2A**

<b>Model</b>	<b>DG-S120-2A</b>
product name	120W Dimming intelligent tunnel light
Dimensions (length * width * thickness)	300x430x140
product weight	7Kg
light color	white (6000K)
Light emitting chip	American (CREE)
Adjustable angle	0-30°
power	120W
Module / power supply removal time	30-60 minutes

**Shell materials**

Aluminum

**Voltage Frequency**

50Hz-60Hz

**Input Voltage**

AC90V-260V/ DC30V-36V

**Life Length**

30000h-100000h

**Water Proof**

IP65

**control method**

Wireless (RF), infrared, APP, 4G, NB-IOT

**Module luminous flux**

0-14400lm (Adjustable)

**Whole light flux**

0-57600lm (Adjustable)

**Color Temperature**

2700-6000k

**Color Index**

Ra >70





# DALI LIGHT



Model	DG-S180-2A
product name	180W Dimming intelligent tunnel light
Dimensions (length * width * thickness)	340x595x150
product weight	10Kg
light color	white (6000K)
Light emitting chip	American (CREE)
Adjustable angle	0-30°
power	180W
Module / power supply removal time	30-60 minutes

**Shell materials**

**Aluminum**

**Voltage Frequency**

**50hZ-60Hz**

**Input Voltage**

AC90V-260V/ DC30V-36V

**Life Length**

30000h-100000h

**Water Proof**

IP65

**control method**

Wireless (RF), infrared, APP, 4G, NB-IOT

**Module luminous flux**

0-21600lm (Adjustable)

**Whole light flux**

0-129600lm (Adjustable)

**Color Temperature**

2700-6000k

**Color Index**

Ra >70



# DALI LIGHT



Model	DG-E070-2B
product name	70W Dimming intelligent landscape light
Dimensions (length * width*thickness )	235x220x120
product weight	3.9Kg
light color	white ( 6000K )
Light emitting chip	American ( CREE )
angle	90°
power	70W
Optical distance (standard reference)	8 meter

**with Induction sensor**

<b>Shell materials</b>	Aluminum	<b>Voltage Frequency</b>	50hZ-60Hz
<b>Input Voltage</b>	AC90V-260V	<b>Life Length</b>	30000h-100000h
<b>Water Proof</b>	IP65	<b>control method</b>	Wireless (RF), infrared, APP, 4G, NB-IOT
<b>Color Temperature</b>	2700-6000k	<b>Color Index</b>	Ra >70



# DALI LIGHT



Model	DG-E100-2B
product name	100W Dimming intelligent landscape light
Dimensions (length * width*thickness )	270x270x185
product weight	6.1Kg
light color	white ( 6000K )
Light emitting chip	American ( CREE )
angle	90°
power	100W
Optical distance (standard reference)	8-12 meter

Shell materials

Aluminum

Voltage Frequency

50hZ-60Hz

Input Voltage

AC90V-260V

Life Length

30000h-100000h

Water Proof

IP65

control method

Wireless (RF), infrared, APP, 4G, NB-IOT

Color Temperature

2700-6000k

Color Index

Ra >70



# DALI LIGHT



<b>Model</b>	<b>DG-E150-2B</b>
product name	150W Dimming intelligent landscape light
Dimensions (length * width*thickness )	315x300x190
product weight	7.8Kg
light color	white ( 6000K )
Light emitting chip	American ( CREE )
angle	90°
power	150W
Optical distance (standard reference)	12-15 meter

**Shell materials**

Aluminum

**Input Voltage**

AC90V-260V

**Water Proof**

IP65

**Color Temperature**

2700-6000k

**Voltage Frequency**

50hZ-60Hz

**Life Length**

30000h-100000h

**control method**

Wireless (RF), infrared, APP, 4G, NB-IOT

**Color Index**

Ra >70



# DALI LIGHT



Model	DG-E200-2B
product name	200W Dimming intelligent landscape light
Dimensions (length * width*thickness )	380x345x200
product weight	10.1Kg
light color	white ( 6000K )
Light emitting chip	American ( CREE )
angle	90°
power	200W
Optical distance (standard reference)	12-15 meter

**Shell materials**

Aluminum

**Voltage Frequency**

50hZ-60Hz

**Input Voltage**

AC90V-260V

**Life Length**

30000h-100000h

**Water Proof**

IP65

**control method**

Wireless (RF), infrared, APP, 4G, NB-IOT

**Color Temperature**

2700-6000k

**Color Index**

Ra >70



# DALI LIGHT



**DG- E010-2C**

Model	DG-E010-2C
product name	10W Dimming intelligent landscape light
Dimensions (length * width*thickness )	140x110x30
product weight	1.4Kg
light color	white ( 6000K )
Light emitting chip	American ( CREE )
angle	90°
power	10W
Optical distance (standard reference)	8 meter

Shell materials

Aluminum

Voltage Frequency

50hZ-60Hz

Input Voltage

AC90V-260V

Life Length

30000h-100000h

Water Proof

IP65

control method

Wireless (RF), infrared, APP, 4G, NB-IOT

Color Temperature

2700-6000k

Color Index

Ra >70



# DALI LIGHT



**DG- E020-2C**

Model	DG-E020-2C
product name	20W Dimming intelligent landscape light
Dimensions (length * width*thickness )	190x160x40
product weight	1.8Kg
light color	white ( 6000K )
Light emitting chip	American ( CREE )
angle	90°
power	20W
Optical distance (standard reference)	8 meter

Shell materials

Aluminum

Voltage Frequency

50hZ-60Hz

Input Voltage

AC90V-260V

Life Length

30000h-100000h

Water Proof

IP65

control method

Wireless (RF), infrared, APP, 4G, NB-IOT

Color Temperature

2700-6000k

Color Index

Ra >70



# DALI LIGHT



<b>Model</b>	<b>DG-E030-2C</b>
product name	30W Dimming intelligent landscape light
Dimensions (length * width*thickness )	200x170x40
product weight	2Kg
light color	white ( 6000K )
Light emitting chip	American ( CREE )
angle	90°
power	30W
Optical distance (standard reference)	8 meter

**Shell materials**

**Aluminum**

**Voltage Frequency**

**50hZ-60Hz**

**Input Voltage**

**AC90V-260V**

**Life Length**

**30000h-100000h**

**Water Proof**

**IP65**

**control method**

**Wireless (RF), infrared, APP, 4G, NB-IOT**

**Color Temperature**

**2700-6000k**

**Color Index**

**Ra >70**





# DALI LIGHT



<b>Model</b>	<b>DG-E050-2C</b>
product name	50W Dimming intelligent landscape light
Dimensions (length * width*thickness )	265x220x50
product weight	2.8Kg
light color	white ( 6000K )
Light emitting chip	American ( CREE )
angle	90°
power	50W
Optical distance (standard reference)	8 meter

**Shell materials**

**Aluminum**

**Voltage Frequency**

**50hZ-60Hz**

**Input Voltage**

AC90V-260V

**Life Length**

30000h-100000h

**Water Proof**

IP65

**control method**

Wireless (RF), infrared, APP, 4G, NB-IOT

**Color Temperature**

2700-6000k

**Color Index**

Ra >70



# DALI LIGHT



<b>Model</b>	<b>DG-E080-2C</b>
product name	80W Dimming intelligent landscape light
Dimensions (length * width*thickness )	300x245x50
product weight	4.1Kg
light color	white ( 6000K )
Light emitting chip	American ( CREE )
angle	90°
power	80W
Optical distance (standard reference)	8 meter

**Shell materials**

Aluminum

**Voltage Frequency**

50hZ-60Hz

**Input Voltage**

AC90V-260V

**Life Length**

30000h-100000h

**Water Proof**

IP65

**control method**

Wireless (RF), infrared, APP, 4G, NB-IOT

**Color Temperature**

2700-6000k

**Color Index**

Ra >70



# DALI LIGHT



**DG- E100-2C**

DC- E100-3C

<b>Model</b>	<b>DG-E100-2C</b>
product name	100W Dimming intelligent landscape light
Dimensions (length * width*thickness )	345x295x55
product weight	5.1Kg
light color	white ( 6000K )
Light emitting chip	American ( CREE )
angle	90°
power	100W
Optical distance (standard reference)	8 meter

**Shell materials**

Aluminum

**Voltage Frequency**

50hZ-60Hz

**Input Voltage**

AC90V-260V

**Life Length**

30000h-100000h

**Water Proof**

IP65

**control method**

Wireless (RF), infrared, APP, 4G, NB-IOT

**Color Temperature**

2700-6000k

**Color Index**

Ra >70



# DALI LIGHT



**DG- E150-2C**

<b>Model</b>	<b>DG-E150-2C</b>
product name	150W Dimming intelligent landscape light
Dimensions (length * width*thickness )	365x330x55
product weight	6.5Kg
light color	white ( 6000K )
Light emitting chip	American ( CREE )
angle	90°
power	150W
Optical distance (standard reference)	8 meter

**Shell materials**

**Aluminum**

**Voltage Frequency**

**50hZ-60Hz**

**Input Voltage**

AC90V-260V

**Life Length**

30000h-100000h

**Water Proof**

IP65

**control method**

Wireless (RF), infrared, APP, 4G, NB-IOT

**Color Temperature**

2700-6000k

**Color Index**

Ra >70



# DALI LIGHT



**DG- E200-2C**

<b>Model</b>	<b>DG-E200-2C</b>
product name	200W Dimming intelligent landscape light
Dimensions (length * width*thickness )	400x360x55
product weight	7.8Kg
light color	white ( 6000K )
Light emitting chip	American ( CREE )
angle	90°
power	200W
Optical distance (standard reference)	8 meter

**Shell materials**

Aluminum

**Voltage Frequency**

50hZ-60Hz

**Input Voltage**

AC90V-260V

**Life Length**

30000h-100000h

**Water Proof**

IP65

**control method**

Wireless (RF), infrared, APP, 4G, NB-IOT

**Color Temperature**

2700-6000k

**Color Index**

Ra >70





**DALI LIGHT**

**Intelligent Track light**

wonderful change in the color and brightness catches customer's eyes deeply.

# DALI LIGHT



# DALI LIGHT



<b>Model</b>	<b>DG-510B30</b>
product name	three-inch dimmable track lamp
Dimensions (length * width * thickness)	172x100
product weight	1.2Kg
light color	red, green, blue, white (6000K)
Light emitting chip	American (CREE)
Adjustable angle	0-360°
power	12W-21W

<b>Shell materials</b>	<b>PC composite material</b>	<b>Voltage Frequency</b>	<b>50hZ-60Hz</b>
<b>Input Voltage</b>	AC90V-260V	<b>Life Length</b>	30000h-100000h
<b>Water Proof</b>	IP65	<b>control method</b>	Wireless (RF), infrared, APP, 4G, NB-IOT





# DALI LIGHT



<b>Model</b>	<b>DG-510B40</b>
product name	four-inch dimmable track lamp
Dimensions (length * width * thickness)	175x126
product weight	1.3Kg
light color	red, green, blue, white (6000K)
Light emitting chip	American (CREE)
Adjustable angle	0-360°
power	21W-30W

<b>Shell materials</b>	<b>PC composite material</b>	<b>Voltage Frequency</b>	<b>50Hz-60Hz</b>
<b>Input Voltage</b>	AC90V-260V	<b>Life Length</b>	30000h-100000h
<b>Water Proof</b>	IP65	<b>control method</b>	Wireless (RF), infrared, APP, 4G, NB-IOT



# DALI LIGHT

## Intelligent Stadium light system

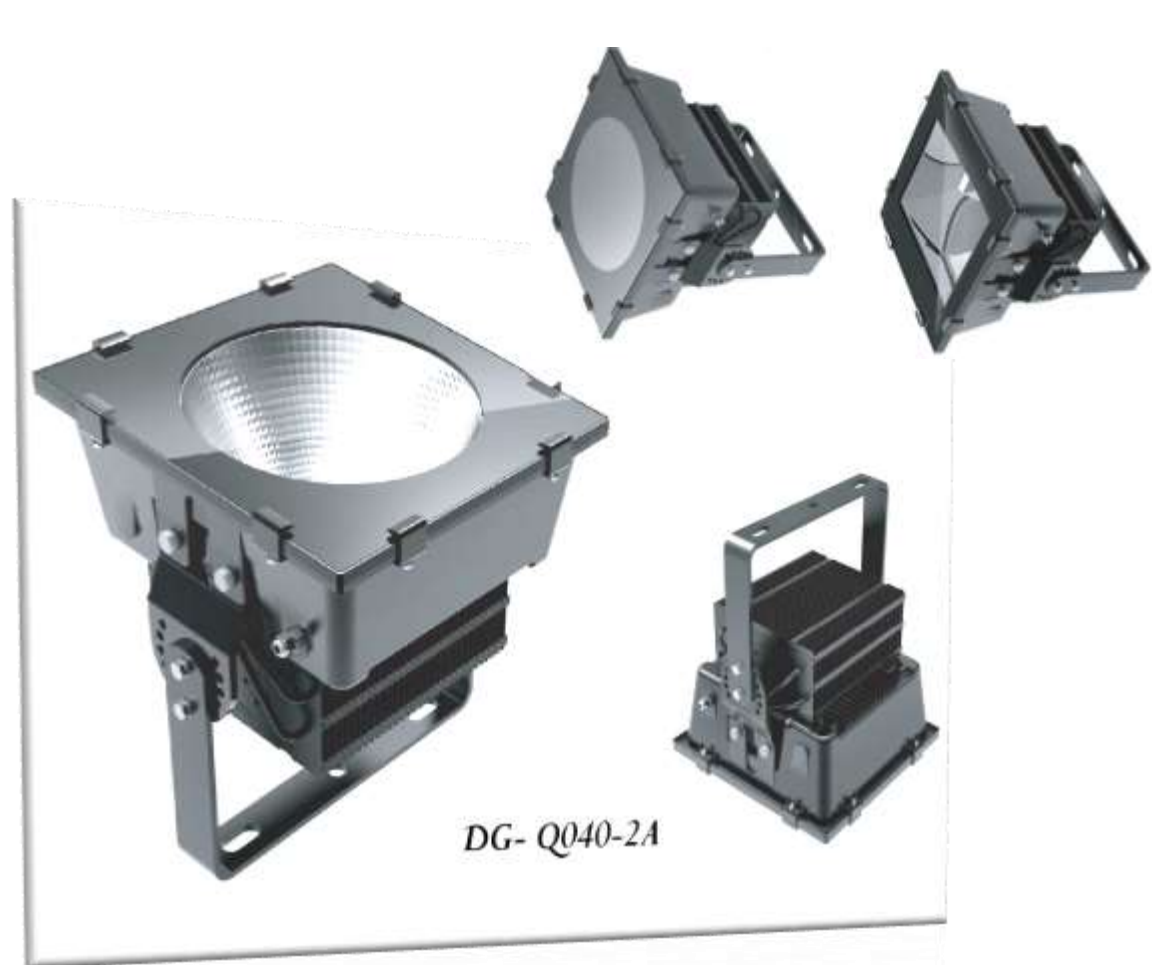


# DALI LIGHT

- Dalilight company intelligent stadium light can massively be used in sports centers, stadiums, golf course and squares. The light has advantage like long life and low energy consumption and it can effectively replace the HPS over 2000W.



# DALI LIGHT



DG- Q040-2A

<b>Model</b>	<b>DG-Q040-2A</b>
product name	400W Dimming intelligent stadium light
Dimensions (length * width * thickness)	435x415x455
product weight	17.3Kg
light color	white
Light emitting chip	American (CREE)
Adjustable angle	90°-110°
power	400W
Installation height (standard reference)	30-50 meter
Irradiation diameter	57 meter (50 meter height)

<b>Shell materials</b>	<b>Aluminum</b>	<b>Voltage Frequency</b>	<b>50hZ-60Hz</b>
<b>Input Voltage</b>	AC90V-260V/DC30V-36V	<b>Life Length</b>	30000h-100000h
<b>Water Proof</b>	IP65	<b>control method</b>	Wireless (RF), infrared, APP, 4G, NB-IOT
<b>Color Temperature</b>	2700-6000k	<b>Color Index</b>	Ra >70



# DALI LIGHT



<b>Model</b>	<b>DG-Q050-2A</b>
product name	500W Dimming intelligent stadium light
Dimensions (length * width * thickness)	440x425x455
product weight	20.1Kg
light color	white
Light emitting chip	American (CREE)
Adjustable angle	90°-110°
power	500W
Installation height (standard reference)	30-50 meter
Irradiation diameter	85 meter (50 meter height)

**Shell materials**

**Aluminum**

**Input Voltage**

AC90V-260V/DC30V-36V

**Water Proof**

IP65

**Color Temperature**

2700-6000k

**Voltage Frequency**

**50hZ-60Hz**

**Life Length**

30000h-100000h

**control method**

Wireless (RF), infrared, APP, 4G, NB-IOT

**Color Index**

Ra >70



# DALI LIGHT



<b>Model</b>	<b>DG-q100-2c</b>
product name	1000W Dimming intelligent stadium light
Dimensions (length * width * thickness)	515x430x600
product weight	29.7Kg
light color	white
Light emitting chip	American (CREE)
Adjustable angle	90°-110°
power	1000W
Installation height (standard reference)	60-100 meter
Irradiation diameter	83 meter (100 meter height)

DG-Q100-2C

<b>Shell materials</b>	<b>Aluminum</b>	<b>Voltage Frequency</b>	<b>50Hz-60Hz</b>
<b>Input Voltage</b>	AC90V-260V/DC30V-36V	<b>Life Length</b>	30000h-100000h
<b>Water Proof</b>	IP65	<b>control method</b>	Wireless (RF), infrared, APP, 4G, NB-IOT
<b>Color Temperature</b>	2700-6000k	<b>Color Index</b>	Ra >70



# DALI LIGHT

**Intelligent street light system**



- Dalilight company intelligent street light can extensively be applied in the main roads, expressways, streets and pavements, as well as the areas which need outdoor light such as squares, schools, residential areas, industrial areas, the system can also provide citizens with the convenience of free public WIFI, video surveillance and public information.
- The Dali light intelligent street light consists of GPRS module, vehicle flow counter, power supply line and control system, computer APP, mobile APP, and street light structure. The system can automatically turn on or off according to the preset time period or the set latitude and longitude for each day of turning on and off, and give different illuminance according to the actual situation of different road sections.
- The system can give different illuminances according to the different traffic flow or control the lighting of each of the two lights. Controlling the brightness of the light not only saves a lot of energy consumption, but also extends the life of the street lamp, thus reducing the replacement cost. Street light fixtures have the function of detecting and feeding back current, voltage and temperature. The system can calculate the power consumption of the luminaire according to the received data and determine whether the luminaire is faulty according to the data parameters. If the repair is needed, the relevant maintenance personnel will be notified by short message to perform maintenance. The system will store and count the data uploaded by the streetlight, and can query and print at any time, providing basic data basis for management modernization.





<b>Model</b>	<b>DG-L200-1A</b>
product name	200W Dimming intelligent street light
Dimensions (length * width * thickness)	860x350x65
Hole Size	60
product weight	14.5Kg
light color	white ( 6000K )
Light emitting chip	American ( CREE )
Adjustable angle	0-30 °
power	200W
Module / power supply removal time	3 seconds each

<b>Shell materials</b>	<b>Aluminum alloy</b>	<b>Voltage Frequency</b>	<b>50hZ-60Hz</b>
<b>Input Voltage</b>	AC90V-260V	<b>Life Length</b>	30000h-100000h
<b>Water Proof</b>	IP65	<b>control method</b>	Wireless (RF), infrared, APP, 4G, NB-IOT
<b>Module luminous flux</b>	0-24000lm (Adjustable)	<b>Whole light flux</b>	0-120000lm (Adjustable)
<b>Color Temperature</b>	2700-6000k	<b>Color Index</b>	Ra >70





<b>Model</b>	<b>DG-L060-2G</b>
product name	60W Dimming intelligent street light
Dimensions (length * width * thickness)	490x330x110
Hole Size	60
product weight	5.9Kg
light color	white (6000K)
Light emitting chip	American (CREE)
Adjustable angle	0
power	60W
Module / power supply removal time	30 minutes

<b>Shell materials</b>	<b>Aluminum</b>	<b>Voltage Frequency</b>	<b>50hZ-60Hz</b>
<b>Input Voltage</b>	AC90V-260V	<b>Life Length</b>	30000h-100000h
<b>Water Proof</b>	IP65	<b>control method</b>	Wireless (RF), infrared, APP, 4G, NB-IOT
<b>Module luminous flux</b>	0-7200lm (Adjustable)	<b>Whole light flux</b>	0-14400lm (Adjustable)
<b>Color Temperature</b>	2700-6000k	<b>Color Index</b>	Ra >70





<b>Model</b>	<b>DG-L120-2G</b>
product name	120W Dimming intelligent street light
Dimensions (length * width * thickness)	645x330x110
Hole Size	60
product weight	7.7Kg
light color	white ( 6000K )
Light emitting chip	American ( CREE )
Adjustable angle	0
power	120W
Module / power supply removal time	30 -60 minutes

<b>Shell materials</b>	<b>Aluminum</b>	<b>Voltage Frequency</b>	<b>50hZ-60Hz</b>
<b>Input Voltage</b>	AC90V-260V	<b>Life Length</b>	30000h-100000h
<b>Water Proof</b>	IP65	<b>control method</b>	Wireless (RF), infrared, APP, 4G, NB-IOT
<b>Module luminous flux</b>	0-14400lm (Adjustable)	<b>Whole light flux</b>	0-57600lm (Adjustable)
<b>Color Temperature</b>	2700-6000k	<b>Color Index</b>	Ra >70



<b>Model</b>	<b>DG-L210-2G</b>
product name	210W Dimming intelligent street light
Dimensions (length * width * thickness)	870x330x110
Hole Size	60
product weight	10.5Kg
light color	white ( 6000K )
Light emitting chip	American ( CREE )
Adjustable angle	0
power	210W
Module / power supply removal time	30 -60 minutes

<b>Shell materials</b>	<b>Aluminum</b>	<b>Voltage Frequency</b>	<b>50hZ-60Hz</b>
<b>Input Voltage</b>	AC90V-260V	<b>Life Length</b>	30000h-100000h
<b>Water Proof</b>	IP65	<b>control method</b>	Wireless (RF), infrared, APP, 4G, NB-IOT
<b>Module luminous flux</b>	0-25200lm (Adjustable)	<b>Whole light flux</b>	0-176400lm (Adjustable)
<b>Color Temperature</b>	2700-6000k	<b>Color Index</b>	Ra >70



<b>Model</b>	<b>DG-L040-2H</b>
product name	40W Dimming intelligent street light
Dimensions (length * width * thickness)	680x365x50
Hole Size	60
product weight	8.1Kg
light color	white ( 6000K )
Light emitting chip	American ( CREE )
Adjustable angle	0
power	40W
Module / power supply removal time	30 minutes
solar panel conversion rate	≥17%

<b>Shell materials</b>	<b>Aluminum</b>	<b>Voltage Frequency</b>	<b>50hZ-60Hz</b>
<b>Input Voltage</b>	AC90V-260V	<b>Life Length</b>	30000h-100000h
<b>Water Proof</b>	IP65	<b>control method</b>	Wireless (RF), infrared, APP, 4G, NB-IOT
<b>Module luminous flux</b>	500-4500lm	<b>Whole light flux</b>	2445lm
<b>Color Temperature</b>	2700-6000k	<b>Color Index</b>	Ra >70



# DALI LIGHT



<b>Model</b>	<b>DG-L030-2A</b>
product name	30W Dimming intelligent street light
Dimensions (length * width * thickness)	365x135x85
Hole Size	60
product weight	2.5Kg
light color	white ( 6000K )
Light emitting chip	American ( CREE )
Adjustable angle	0
power	30W
Module / power supply removal time	30 minutes

**Shell materials**

**Aluminum**

**Voltage Frequency**

**50hZ-60Hz**

**Input Voltage**

**AC90V-260V**

**Life Length**

**30000h-100000h**

**Water Proof**

**IP65**

**control method**

**Wireless (RF), infrared, APP, 4G, NB-IOT**

**Module luminous flux**

**450lm**

**Whole light flux**

**500-3500lm (Adjustable)**

**Color Temperature**

**2700-6000k**

**Color Index**

**Ra >70**



# DALI LIGHT



## DG- L120-2A

<b>Model</b>	<b>DG-L120-2A</b>
product name	120W Dimming intelligent street light
Dimensions (length * width * thickness)	630x215x90
Hole Size	60
product weight	5.1Kg
light color	white ( 6000K )
Light emitting chip	American ( CREE )
Adjustable angle	0
power	120W
Module / power supply removal time	30-60 minutes

**Shell materials**

**Aluminum**

**Voltage Frequency**

**50hZ-60Hz**

**Input Voltage**

AC90V-260V

**Life Length**

30000h-100000h

**Water Proof**

IP65

**control method**

Wireless (RF), infrared, APP, 4G, NB-IOT

**Module luminous flux**

1800lm

**Whole light flux**

500-14000lm (Adjustable)

**Color Temperature**

2700-6000k

**Color Index**

Ra >70



# DALI LIGHT



<b>Model</b>	<b>DG-L030-2B</b>
product name	30W Dimming intelligent street light
Dimensions (length * width * thickness)	490x305x130
Hole Size	60
product weight	4.9Kg
light color	white ( 6000K )
Light emitting chip	American ( CREE )
Adjustable angle	0-30 °
power	30W
Module / power supply removal time	30 minutes

**Shell materials**

**Aluminum alloy**

**Voltage Frequency**

**50hZ-60Hz**

**Input Voltage**

AC90V-260V

**Life Length**

30000h-100000h

**Water Proof**

IP65

**control method**

Wireless (RF), infrared, APP, 4G, NB-IOT

**Module luminous flux**

500-3200lm (Adjustable)

**Whole light flux**

500-3200lm (Adjustable)

**Color Temperature**

2700-6000k

**Color Index**

Ra >70





# DALI LIGHT



## DG- L120-2B

<b>Model</b>	<b>DG-L120-2B</b>
product name	120W Dimming intelligent street light
Dimensions (length * width * thickness)	770x305x130
Hole Size	60
product weight	7.7Kg
light color	white (6000K)
Light emitting chip	American (CREE)
Adjustable angle	0-30 °
power	120W
Module / power supply removal time	30-60 minutes

**Shell materials**

Aluminum alloy

**Input Voltage**

AC90V-260V

**Water Proof**

IP65

**Module luminous flux**

500-3200lm (Adjustable)

**Color Temperature**

2700-6000k

**Voltage Frequency**

50hZ-60Hz

**Life Length**

30000h-100000h

**control method**

Wireless (RF), infrared, APP, 4G, NB-IOT

**Whole light flux**

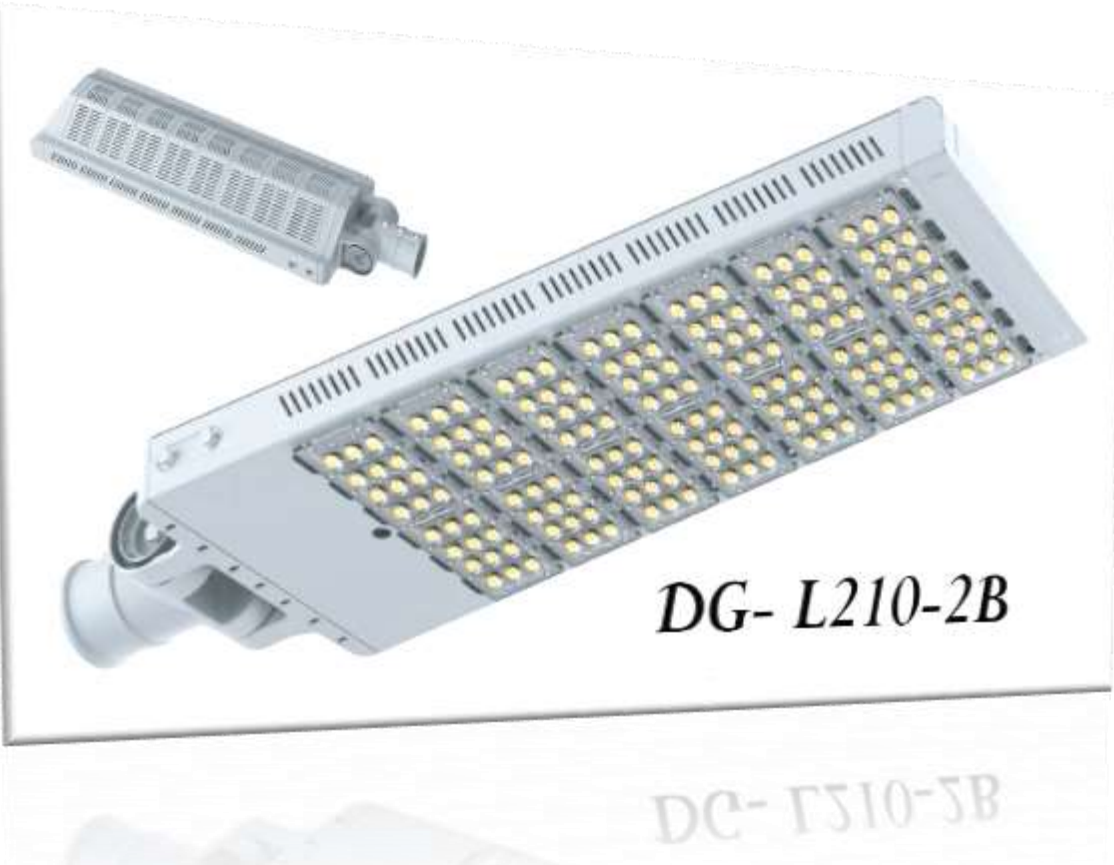
500-12800lm (Adjustable)

**Color Index**

Ra >70



# DALI LIGHT



<b>Model</b>	<b>DG-L210-2B</b>
product name	210W Dimming intelligent street light
Dimensions (length * width * thickness)	1042x305x130
Hole Size	60
product weight	10.5Kg
light color	white (6000K)
Light emitting chip	American (CREE)
Adjustable angle	0-30°
power	210W
Module / power supply removal time	30-60 minutes

<b>Shell materials</b>	<b>Aluminum alloy</b>	<b>Voltage Frequency</b>	<b>50Hz-60Hz</b>
<b>Input Voltage</b>	AC90V-260V	<b>Life Length</b>	30000h-100000h
<b>Water Proof</b>	IP65	<b>control method</b>	Wireless (RF), infrared, APP, 4G, NB-IOT
<b>Module luminous flux</b>	500-3200lm (Adjustable)	<b>Whole light flux</b>	500-22400lm (Adjustable)
<b>Color Temperature</b>	2700-6000k	<b>Color Index</b>	Ra >70



# DALI LIGHT



**DG- L210-2C**

<b>Model</b>	<b>DG-L210-2C</b>
product name	210W Dimming intelligent street light
Dimensions (length * width * thickness)	845x305x130
Hole Size	60
product weight	9.3Kg
light color	white ( 6000K )
Light emitting chip	American ( CREE )
Adjustable angle	0
power	210W
Module / power supply removal time	30-60 minutes

**Shell materials**

**Aluminum alloy**

**Input Voltage**

AC90V-260V

**Water Proof**

IP65

**Module luminous flux**

500-3300lm (Adjustable)

**Color Temperature**

2700-6000k

**Voltage Frequency**

**50hZ-60Hz**

**Life Length**

30000h-100000h

**control method**

Wireless (RF), infrared, APP, 4G, NB-IOT

**Whole light flux**

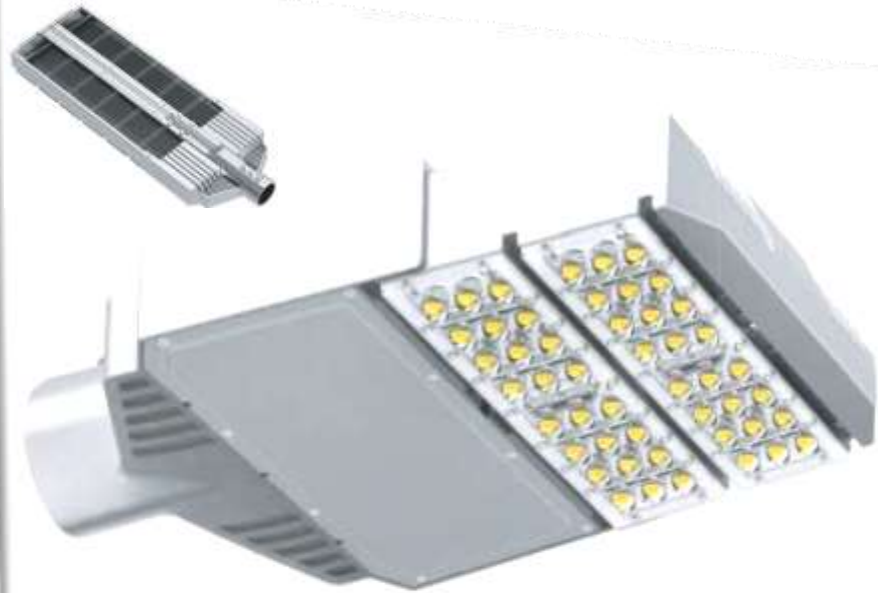
500-23100lm (Adjustable)

**Color Index**

Ra >70



# DALI LIGHT



**DG- L060-2D**

<b>Model</b>	<b>DG-L060-2D</b>
product name	60W Dimming intelligent street light
Dimensions (length * width * thickness)	495x290x100
Hole Size	60
product weight	6.5Kg
light color	white ( 6000K )
Light emitting chip	American ( CREE )
Adjustable angle	0
power	60W
Module / power supply removal time	30 minutes

**Shell materials** Aluminum alloy

**Input Voltage** AC90V-260V

**Water Proof** IP65

**Module luminous flux** 500-3300lm (Adjustable)

**Color Temperature** 2700-6000k

**Voltage Frequency** 50Hz-60Hz

**Life Length** 30000h-100000h

**control method** Wireless (RF), infrared, APP, 4G, NB-IOT

**Whole light flux** 500-6600lm (Adjustable)

**Color Index** Ra >70



# DALI LIGHT



<b>Model</b>	<b>DG-L090-2D</b>
product name	90W Dimming intelligent street light
Dimensions (length * width * thickness)	590x290x100
Hole Size	60
product weight	8.1Kg
light color	white ( 6000K )
Light emitting chip	American ( CREE )
Adjustable angle	0
power	90W
Module / power supply removal time	30 minutes

**Shell materials**

Aluminum alloy

**Voltage Frequency**

50hZ-60Hz

**Input Voltage**

AC90V-260V

**Life Length**

30000h-100000h

**Water Proof**

IP65

**control method**

Wireless (RF), infrared, APP, 4G, NB-IOT

**Module luminous flux**

500-3300lm (Adjustable)

**Whole light flux**

500-9900lm (Adjustable)

**Color Temperature**

2700-6000k

**Color Index**

Ra >70



# DALI LIGHT



Model	DG-L120-2D
product name	120W Dimming intelligent street light
Dimensions (length * width * thickness)	680x290x100
Hole Size	60
product weight	9.5Kg
light color	white (6000K)
Light emitting chip	American (CREE)
Adjustable angle	0
power	120W
Module / power supply removal time	30-60 minutes

**Shell materials** Aluminum alloy

**Input Voltage** AC90V-260V

**Water Proof** IP65

**Module luminous flux** 500-3300lm (Adjustable)

**Color Temperature** 2700-6000k

**Voltage Frequency** 50Hz-60Hz

**Life Length** 30000h-100000h

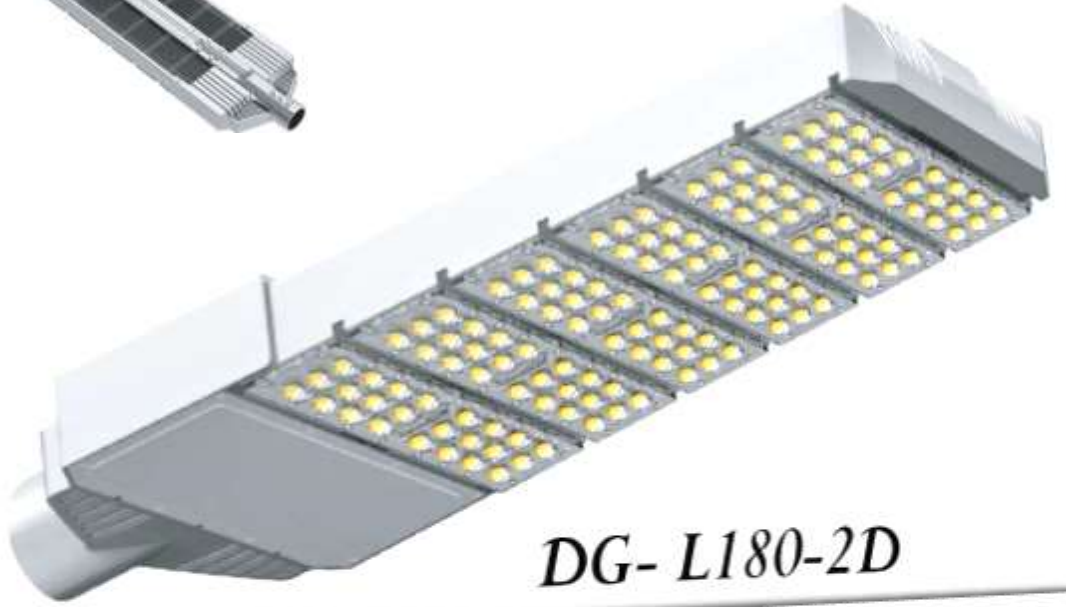
**control method** Wireless (RF), infrared, APP, 4G, NB-IOT

**Whole light flux** 500-13200lm (Adjustable)

**Color Index** Ra >70



# DALI LIGHT



**DG- L180-2D**

DC- L180-2D

Model	DG-L180-2D
product name	180W Dimming intelligent street light
Dimensions (length * width * thickness)	860x290x100
Hole Size	60
product weight	12.2Kg
light color	white ( 6000K )
Light emitting chip	American ( CREE )
Adjustable angle	0
power	180W
Module / power supply removal time	30-60 minutes

**Shell materials**

**Aluminum alloy**

**Voltage Frequency**

**50hZ-60Hz**

**Input Voltage**

AC90V-260V

**Life Length**

30000h-100000h

**Water Proof**

IP65

**control method**

Wireless (RF), infrared, APP, 4G, NB-IOT

**Module luminous flux**

500-3300lm (Adjustable)

**Whole light flux**

500-19800lm (Adjustable)

**Color Temperature**

2700-6000k

**Color Index**

Ra >70



# DALI LIGHT



Model	DG-L030-2F
product name	30W Dimming intelligent street light
Dimensions (length * width * thickness)	370x190x90
Hole Size	60
product weight	3.3Kg
light color	white (6000K)
Light emitting chip	American (CREE)
Adjustable angle	0
power	30W
Module / power supply removal time	30 minutes

DG-L030-2F

DC-Γ030-5E

Shell materials	Aluminum alloy	Voltage Frequency	50Hz-60Hz
Input Voltage	AC90V-260V	Life Length	30000h-100000h
Water Proof	IP65	control method	Wireless (RF), infrared, APP, 4G, NB-IOT
Module luminous flux	450lm	Whole light flux	500-3300lm (Adjustable)
Color Temperature	2700-6000k	Color Index	Ra >70





# DALI LIGHT

## Fishing light



fishing boats. Via lights of different wave-length and different color, the Intelligent fishing-catchment light can effectively gather fish crowds and help boats harvest. The intelligent control system can easily change the wave length and color of the light to attract different kinds of fish.

# DALI LIGHT



# DALI LIGHT



<b>Model</b>	<b>DG-J280-1A</b>
product name	280W dimmable fishing light
Dimensions (length * width * thickness)	360x180x160
product weight	2Kg
Lamp holder type	E40
light color	red, green, blue, white ( 6000K )
Light emitting chip	American ( CREE )
Adjustable angle	0
power	280W

**Shell materials**

PC composite material

**Voltage Frequency**

50hZ-60Hz

**Input Voltage**

AC180V-265V

**Life Length**

30000h-100000h

**Water Proof**

IP65

**control method**

Dali Controller

